

SMI 1001 – Magnetic switch interface



Applications

- Connecting in series of two-channel sensors with contact assignment NO/NO up to PL d/Categorie 3 (EN ISO 13849-1)

Features

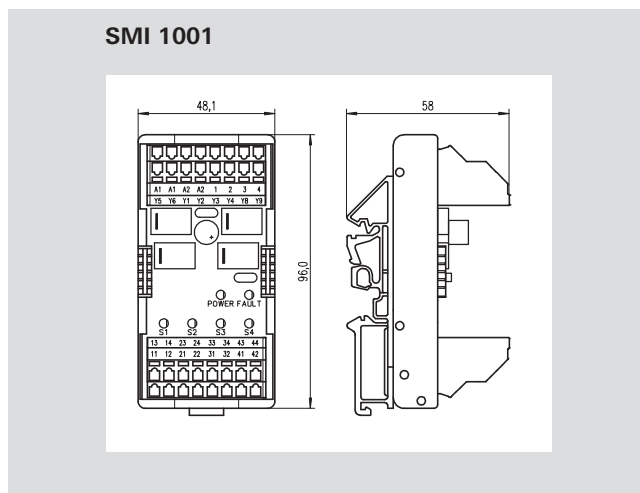
- Control via a maximum of 4 two-channel sensors
- Signal output for each sensor
- Optical indication of the switching state of each sensor

Function

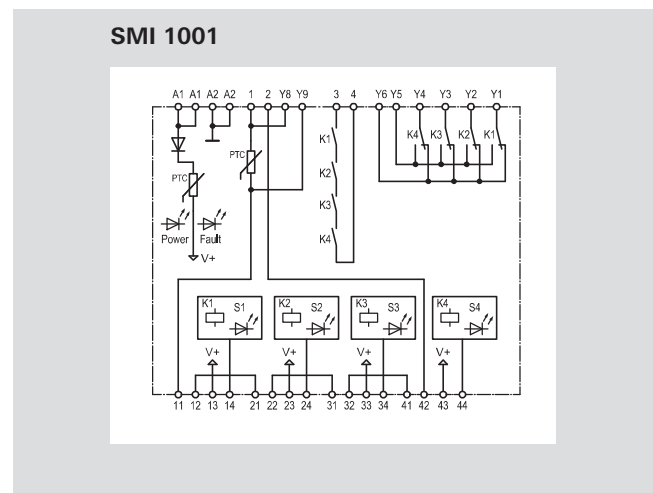
The SMI 1001 connects safety switches / position switches in series. Several safety switches or position switches can be connected to **safe** RELAY safety switching devices or to **samos**® and **samos**®PRO safety systems and evaluated.

The SMI 1001 features status displays for the switching state of the NO circuits of the connected sensors as well as four diagnostics outputs for the display of the switching state of the NO circuits via external LEDs or a control.

Dimension diagram



Circuit diagram



SMI 1001 – Magnetic switch interface

Overview of devices | part numbers

Type	Rated voltage	Terminals	Part no.	Std. pack
SMI 1001	24 V DC	Push-in terminals, fixed	R1.100.4001.0	1

Technical data

Function	
Function display	1 x LEDs green, 5 x LEDs red
Power supply circuit	
Rated voltage	24 V DC
Rated consumption	1.5 W
Control circuit 11 – 44	
Max. cable length	30 m
Output circuit signal outputs Y1 – Y6	
Contact type	NO
Rated switching voltage	24 V DC
Max. switching current	0.5 A
Output circuit 1, 2, 3, 4	
Contact type	NO
Rated switching voltage	24 V DC
Max. switching current	150 mA
General data	
Creepage distances and clearances	according to EN 60664-1
Ambient temperature/ storage temperature	-25 – +55 °C / -25 – +70 °C
Wire ranges fine-stranded/ solid	0.08 – 2.5 mm ²
or fine-stranded with ferrules	0.08 – 1 mm ²
or fine-stranded with TWIN-ferrule	0.08 – 1.5 mm ²
Weight	0.1 kg
Approvals	cULus

Application

