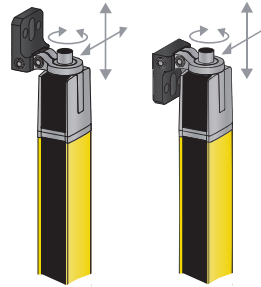


Mounting accessories – Series SLC



SLX-MO-RO1

The swivel mount set **SLX-MO-RO1** is used for wall mounting of series SLC (360° horizontal adjustment possible).



Mounting accessories – Series SLD



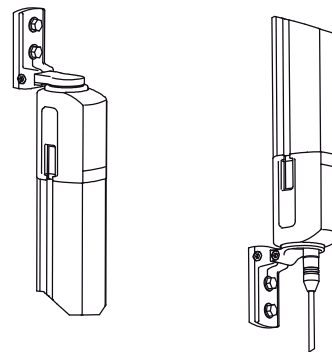
SLX-MO-RO-SET1

The swivel mount set **SLX-MO-RO-SET1 (SLX-MO-RO-SET1S** with shock absorber) is used for wall mounting of Transmitter, Receiver and Transceiver from series SLD (240° horizontal adjustment possible).

The swivel mount set **SLX-MO-RO-SET2 (SLX-MO-RO-SET2S** with shock absorber) is used for wall mounting of Mirror from series SLD (240° horizontal adjustment possible).



SLX-MO-RO-SET2



Overview of devices | part numbers

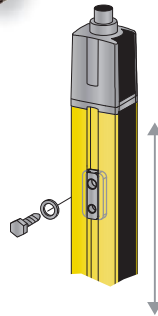
Type	Description	Part no.	Std. pack
SLX-MO-RO1	Rotative bracket 360°, 2 pcs., inkl. 1 pcs. SLC cylinder	R1.591.0006.0	1
SLX-MO-RO-SET1	Set with SLX-MO-RO-B + SLX-MO-RO-C + screws	R1.591.0011.0	1
SLX-MO-RO-SET2	Set with 2 x SLX-MO-RO-C + screws	R1.591.0012.0	1
SLX-MO-RO-SET1-S	Set with SLX-MO-RO-B, SLX-MO-RO-C + screws + Shockabsorber	R1.591.0013.0	1
SLX-MO-RO-SET2-S	Set with 2 x SLX-MO-RO-C + screws + Shockabsorber	R1.591.0014.0	1

Mounting accessories – Series SLC/SLD



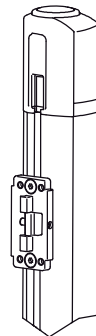
The **SLX-MO-TNUT** sets including sliding blocks for mounting of series SLC/SLD.

The **SLX-MO-L** and **SLX-MO-Z** sets are used for wall mounting of series SLC/SLD in combination with sliding blocks SLX-MO-TNUT.



The **SLX-MO-CLIP** is used for fixed mounting of series SLC/SLD in device columns SLX-COL.

The swiveling mounting brackets **SLX-MO-RO-S** and **SLX-MO-RO270-S** are used for mounting series SLC/SLD in device columns SLX-COL. These brackets are adjustable and with vibration damping.



Overview of devices | part numbers

Type	Description	Part no.	Std. pack
SLX-MO-L	L-Bracket, 2 pcs.	R1.591.0004.0	1
SLX-MO-Z	Z-Bracket, 2 pcs.	R1.591.0005.0	1
SLX-MO-TNUTM6	Set Slot nut with M6-screw thread, 10 pcs.	R1.591.0001.0	1
SLX-MO-TNUTM6M4	Set Slot nut with M6- and M4-screw thread, 10 pcs.	R1.591.0002.0	1
SLX-MO-TNUTM6M5	Set Slot nut with M6- and M5-screw thread, 10 pcs.	R1.591.0003.0	1
SLX-MO-RO-S	Rotative bracket with Shockabsorber, 70mm lang, 2 pcs.	R1.591.0007.0	1
SLX-MO-RO270-S	Rotative bracket with Shockabsorber, 270mm lang, 2 pcs.	R1.591.0008.0	1
SLX-MO-CLIP	Clamp bracket, for Installation in Device column	R1.591.0009.0	1
SLX-MO-CLIP2	Set Clamp bracket, for Installation in Device column, 2 pcs.	R1.591.0010.0	1

Mounting accessories – Series SLC/SLD



SLX-CAB-M12-xxxxx

Connection cables SLC/SLD

The connection cables **SLX-CAB-M12-xxxxx** (shielded and unshielded) are used for the electrical connection of series SLC/SLD by M12-connector (5- or 8-pole). For the connection of safety light grids SLD shielded cables are mandatory.



SLC-PRO-xxxx

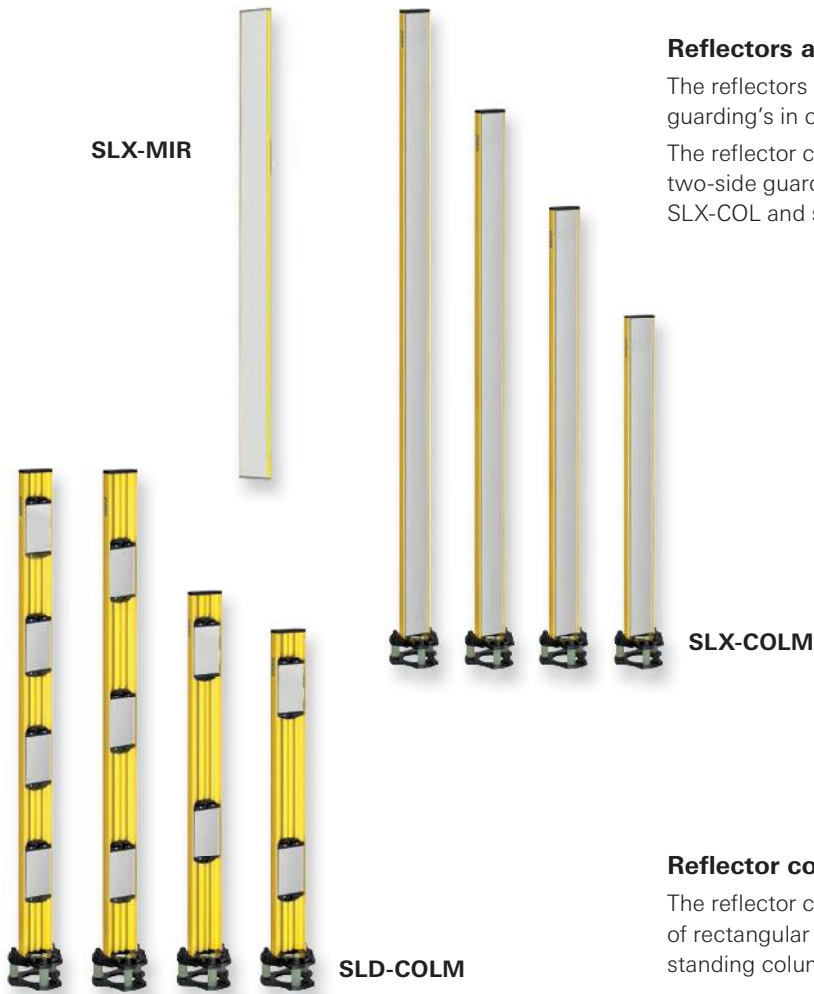
Protective screen SLC

The protective screens **SLC-PRO** are used for the protection of the front of series SLC.

Overview of devices | part numbers

Type	Description	Part no.	Std. pack
SLX-CAB-M12-S0505	Connection cable M12, 5-pole, Length 5m, shielded	R1.600.0505.0	1
SLX-CAB-M12-S0510	Connection cable M12, 5-pole, Length 10m, shielded	R1.600.0510.0	1
SLX-CAB-M12-S0515	Connection cable M12, 5-pole, Length 15m, shielded	R1.600.0515.0	1
SLX-CAB-M12-S0525	Connection cable M12, 5-pole, Length 25m, shielded	R1.600.0525.0	1
SLX-CAB-M12-S0550	Connection cable M12, 5-pole, Length 50m, shielded	R1.600.0550.0	1
SLX-CAB-M12-S0805	Connection cable M12, 8-pole, Length 5m, shielded	R1.600.0805.0	1
SLX-CAB-M12-S0810	Connection cable M12, 8-pole, Length 10m, shielded	R1.600.0810.0	1
SLX-CAB-M12-S0815	Connection cable M12, 8-pole, Length 15m, shielded	R1.600.0815.0	1
SLX-CAB-M12-S0825	Connection cable M12, 8-pole, Length 25m, shielded	R1.600.0825.0	1
SLX-CAB-M12-S0850	Connection cable M12, 8-pole, Length 50m, shielded	R1.600.0850.0	1
SLX-CAB-M12-0505	Connection cable M12, 5-pole, Length 5m, unshielded	R1.500.0505.0	1
SLX-CAB-M12-0510	Connection cable M12, 5-pole, Length 10m, unshielded	R1.500.0510.0	1
SLX-CAB-M12-0515	Connection cable M12, 5-pole, Length 15m, unshielded	R1.500.0515.0	1
SLX-CAB-M12-0525	Connection cable M12, 5-pole, Length 25m, unshielded	R1.500.0525.0	1
SLX-CAB-M12-0550	Connection cable M12, 5-pole, Length 50m, unshielded	R1.500.0550.0	1
SLX-CAB-M12-0805	Connection cable M12, 8-pole, Length 5m, unshielded	R1.500.0805.0	1
SLX-CAB-M12-0810	Connection cable M12, 8-pole, Length 10m, unshielded	R1.500.0810.0	1
SLX-CAB-M12-0815	Connection cable M12, 8-pole, Length 15m, unshielded	R1.500.0815.0	1
SLX-CAB-M12-0825	Connection cable M12, 8-pole, Length 25m, unshielded	R1.500.0825.0	1
SLX-CAB-M12-0850	Connection cable M12, 8-pole, Length 50m, unshielded	R1.500.0850.0	1
SLC-PRO-0150	SLC-Protective glass, Length: 148 mm	R1.502.0150.0	1
SLC-PRO-0225	SLC-Protective glass, Length: 223 mm	R1.502.0225.0	1
SLC-PRO-0300	SLC-Protective glass, Length: 298 mm	R1.502.0300.0	1
SLC-PRO-0450	SLC-Protective glass, Length: 448 mm	R1.502.0450.0	1
SLC-PRO-0600	SLC-Protective glass, Length: 598 mm	R1.502.0600.0	1
SLC-PRO-0750	SLC-Protective glass, Length: 748 mm	R1.502.0750.0	1
SLC-PRO-0900	SLC-Protective glass, Length: 898 mm	R1.502.0900.0	1
SLC-PRO-1050	SLC-Protective glass, Length: 1048 mm	R1.502.1050.0	1
SLC-PRO-1200	SLC-Protective glass, Length: 1198 mm	R1.502.1200.0	1
SLC-PRO-1350	SLC-Protective glass, Length: 1348 mm	R1.502.1350.0	1
SLC-PRO-1500	SLC-Protective glass, Length: 1498 mm	R1.502.1500.0	1
SLC-PRO-1650	SLC-Protective glass, Length: 1648 mm	R1.502.1650.0	1
SLC-PRO-1800	SLC-Protective glass, Length: 1798 mm	R1.502.1800.0	1
SLC-PRO-FIX2	Mounting bracket for SLC-Protective glass, 2 pcs.	R1.502.0002.0	1
SLC-PRO-FIX3	Mounting bracket for SLC-Protective glass, 3 pcs.	R1.502.0003.0	1

Reflectors and reflector columns – Series SLC/SLD



Reflectors and Reflector columns SLC

The reflectors **SLX-MIR** are used for the realization of two-side guarding's in combination with series SLC.

The reflector columns **SLX-COLM** are used for the realization of two-side guarding's in combination with free-standing columns SLX-COL and series SLC.

Reflector columns SLD

The reflector columns **SLD-COLM** are used for the realization of rectangular protective fields in combination with free-standing columns SLX-COL and series SLD.

Overview of devices | part numbers

Type	Description	Part no.	Std. pack
SLX-COLM-1000	Reflector column, persistent 1000 mm	R1.594.1000.0	1
SLX-COLM-1300	Reflector column, persistent 1300 mm	R1.594.1300.0	1
SLX-COLM-1600	Reflector column, persistent 1600 mm	R1.594.1600.0	1
SLX-COLM-1900	Reflector column, persistent 1900 mm	R1.594.1900.0	1
SLX-MIR-0150	Reflector, length: 210 mm	R1.595.0150.0	1
SLX-MIR-0300	Reflector, length: 360 mm	R1.595.0300.0	1
SLX-MIR-0450	Reflector, length: 510 mm	R1.595.0450.0	1
SLX-MIR-0600	Reflector, length: 660 mm	R1.595.0600.0	1
SLX-MIR-0750	Reflector, length: 810 mm	R1.595.0750.0	1
SLX-MIR-0900	Reflector, length: 960 mm	R1.595.0900.0	1
SLX-MIR-1050	Reflector, length: 1110 mm	R1.595.1050.0	1
SLX-MIR-1200	Reflector, length: 1260 mm	R1.595.1200.0	1
SLX-MIR-1350	Reflector, length: 1410 mm	R1.595.1350.0	1
SLX-MIR-1500	Reflector, length: 1560 mm	R1.595.1500.0	1
SLX-MIR-1650	Reflector, length: 1710 mm	R1.595.1650.0	1
SLX-MIR-1800	Reflector, length: 1860 mm	R1.595.1800.0	1
SLX-MIR-FIX2	Bracket for SLX-MIR-reflector, 2 pcs.	R1.595.0002.0	1
SLD-COLM2-0900	Reflector column, Reflector distance: 500 mm; Total height: 900 mm	R1.604.0900.0	1
SLD-COLM2-1060	Reflector column, Reflector distance: 500 mm; Total height: 1060 mm	R1.604.1060.0	1
SLD-COLM3-1360	Reflector column, Reflector distance: 400 mm; Total height: 1360 mm	R1.604.1363.0	1
SLD-COLM4-1360	Reflector column, Reflector distance: 300 mm; Total height: 1360 mm	R1.604.1364.0	1
SLD-MIR	Replacement reflector for SLD-Reflector columnn	R1.604.0001.0	1

Device columns – Series SLC/SLD



SLX-COL



The device columns **SLX-COL** are used for a free-standing installation of series SLC/SLD.



Overview of devices | part numbers

Type	Description	Part no.	Std. pack
SLX-COL-0900	Device column, profile height: 820 mm; Total height: 900 mm	R1.593.0900.0	1
SLX-COL-1000	Device column, profile height: 980 mm; Total height: 1060 mm	R1.593.1000.0	1
SLX-COL-1300	Device column, profile height: 1280 mm; Total height: 1360 mm	R1.593.1300.0	1
SLX-COL-1600	Device column, profile height: 1580 mm; Total height: 1660 mm	R1.593.1600.0	1
SLX-COL-1900	Device column, profile height: 1880 mm; Total height: 1960 mm	R1.593.1900.0	1
SLX-COL-2500	Device column, profile height: 2480 mm; Total height: 2560 mm	R1.593.2500.0	1
SLX-COL-BASE	Replacement pedestal for columns with spring elements	R1.593.0001.0	1
SLX-COLP-0900	2 Protective glasses for SLC-COL-Device column; Length: 820 mm	R1.592.0900.0	1
SLX-COLP-1000	2 Protective glasses for SLX-COL-Device column; Length: 980 mm	R1.592.1000.0	1
SLX-COLP-1300	2 Protective glasses for SLX-COL-Device column; Length: 1280 mm	R1.592.1300.0	1
SLX-COLP-1600	2 Protective glasses for SLX-COL-Device column; Length: 1580 mm	R1.592.1600.0	1
SLX-COLP-1900	2 Protective glasses for SLX-COL-Device column; Length: 1880 mm	R1.592.1900.0	1

Other accessories – Series SLD/SLC



SLX-ACC-LASER



SLC-ACC-LASERCOL

The external laser-alignment device **SLX-ACC-LASER** (for direct mounting on series SLX/SLD) and **SLX-ACC-LASERCOL** (for mounting on a device column SLX-COL) are used for the adjustment of the optical system of series SLC/SLD.

The test rods **SLX-ACC-TEST** are used for functional testing of protective areas realized by series SLC.



SLX-ACC-TEST

Overview of devices | part numbers

Type	Description	Part no.	Std. pack
SLX-ACC-LASERCOL	External laser adjustment device, for fixing in Device column	R1.596.0003.0	1
SLX-ACC-LASER	External laser adjustment device	R1.596.0002.0	1
SLX-ACC-TEST2040	Test bar, 20/40 mm	R1.596.2040.0	1
SLX-ACC-TEST1430	Test bar, 14/30 mm	R1.596.1430.0	1
SLX-ACC-MKEY	Magnet Key for activation of laser adjustment device	R1.596.0001.0	1

Muting accessories – Series SLC/SLD



The **SLX-MUTC-SET2P** muting set is required to set-up a 2-sensor parallel muting (cross muting) system, e.g. in combination with the SLX-COL device columns to be ordered separately, or directly onto the SLD safety light grids.

The **SLX-MUTC-SET4** muting set is used to set-up a 4-sensor sequential muting system, e.g. in combination with the SLX-COL device columns to be ordered separately, or directly onto the SLD safety light grids.

The **SLX-MUTC-SET2A** or **SLX-MUTC-SET2B** muting sets (see figure below) are used to set-up a 2-sensor sequential muting system, e.g. in combination with the SLX-COL device columns to be ordered separately, or directly onto the SLD safety light grids.

Overview of devices | part numbers

Type	Description	Part no.	Std. pack
SLX-MUTC-SET2P	SLX-muting-sensor-set (device column) for 2-sensor-parallel-muting, incl. 2 sensor units, 2 reflector units, pre-assembled, distance 8 m, 2 m cable with plug M12	R1.597.0008.0	1
SLX-MUTC-SET4	SLX-muting-sensor-set for 4-sensor-sequential-muting, incl. 4 sensor units, 4 reflector units, pre-assembled, distance 8 m, 2 m cable with plug M12	R1.597.0007.0	1
SLX-MUTC-SET2A	SLX-muting-sensor-set for 2-sensor-sequential-muting, incl. 2 sensor units, 2 reflector units, pre-assembled, distance 8 m, 2 m cable with plug M12	R1.597.0005.0	1
SLX-MUTC-SET2B	SLX-muting-sensor-set for 2-sensor-sequential-muting, incl. 2 sensor units, 2 reflector units, pre-assembled, distance 8 m, 2 m cable with plug M12	R1.597.0006.0	1
SLX-MUT-SENS20	Sensor element, 2 m cable with plug M12	R1.597.0012.0	1
SLX-MUT-SENS07	Sensor element, 0.7 m cable with plug M12	R1.597.0013.0	1
SLX-MUT-SENS04	Sensor element, 0.4 m cable with plug M12	R1.597.0014.0	1
SLX-MUT-REFLEX	Reflector	R1.597.0015.0	1
SLX-MUT-BOX4	Sensor connector box for 4 muting sensors	R1.597.0020.0	1
SLX-MUT-BOX4-BT	Sensor connector box for 4 muting sensors, with mounting plate	R1.597.0019.0	1
SLX-MUT-BOX4-BT-L	Sensor connector box for 4 muting sensors, with L-mounting bracket	R1.597.0021.0	1

sensor PRO

Further muting accessories are available on request.

